

96-7 Hinge

Lift-off · In-line · Plastic

Features

- Allows for quick, easy door removal
- Door can also be permanently installed

Product Performance

Black:

- Radial load:
 - Maximum static load: 700 N
 - Average ultimate load: 1,000 N
- Axial load:
 - Maximum static load: 1,200 N
 - Average ultimate load: 3,500 N

Material

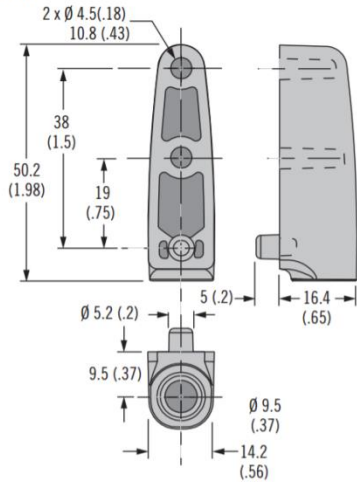
- Black: Glass-filled nylon
- Chrome: PC/ABS blend, chrome

Chrome:

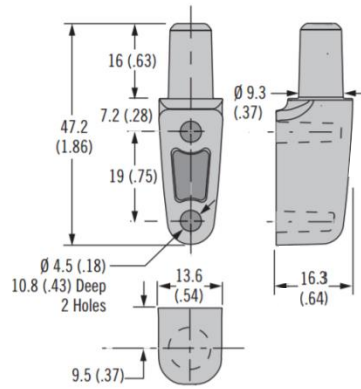
- Radial load:
 - Maximum static load: 350 N
 - Average ultimate load: 600 N
- Axial load:
 - Maximum static load: 900 N
 - Average ultimate load: 2,200 N



Receiver



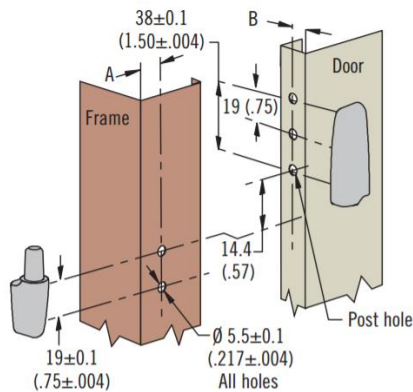
Pin



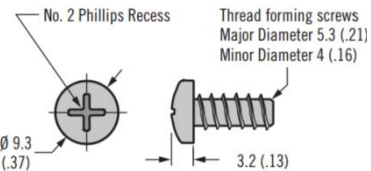
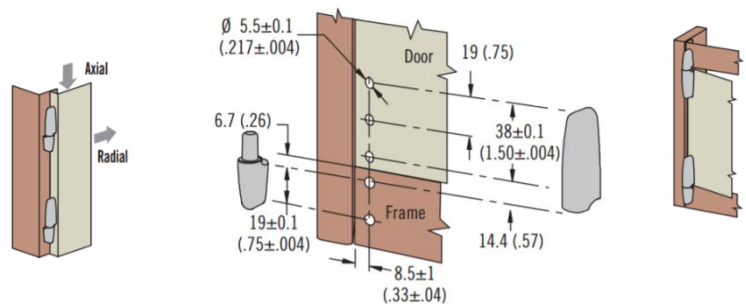
Installation Notes

- Recommended tightening torque for mounting screws: 1.6 N.m
- Offset mount preparation: To allow for 180° rotation, A or B must be 8.5±1

Offset Mount



Flush Mount



Door Thickness	Part Number
	Screws (4 per bag)
1 - 4 (.04 - .16)	96-79-1
4 - 7 (.16 - .28)	96-79-2
7 - 10 (.28 - .39)	96-79-3
10 - 13 (.39 - .51)	96-79-4

Finish	Part Number	
	Pin	Receiver
Black	96-710	96-720
Chrome	96-711	96-721